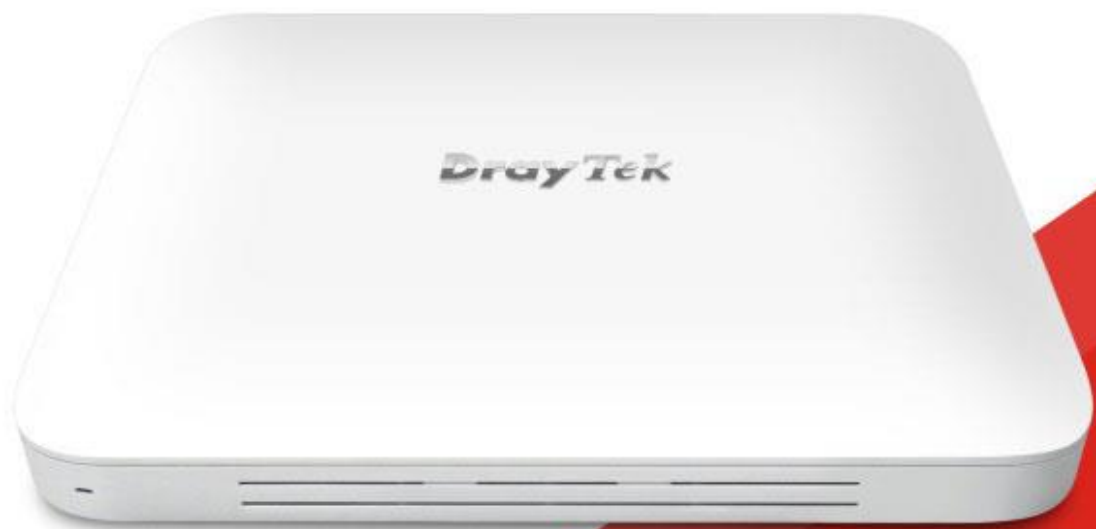


DrayTek

VigorAP 1000C

802.11ac Ceiling-mount AP



QUICK START GUIDE

V1.1

VigorAP 1000C

802.11ac Ceiling-mount AP

Quick Start Guide

Version: 1.1

Firmware Version: V1.3.2

(For future update, please visit DrayTek web site)

Date: July 6, 2020

Intellectual Property Rights (IPR) Information

Copyrights	© All rights reserved. This publication contains information that is protected by copyright. No part may be reproduced, transmitted, transcribed, stored in a retrieval system, or translated into any language without written permission from the copyright holders.
Trademarks	The following trademarks are used in this document: <ul style="list-style-type: none">● Microsoft is a registered trademark of Microsoft Corp.● Windows, Windows 7, 8, 10 and Explorer are trademarks of Microsoft Corp.● Apple and Mac OS are registered trademarks of Apple Inc.● Other products may be trademarks or registered trademarks of their respective manufacturers.

Safety Instructions and Approval

Safety Instructions	<ul style="list-style-type: none">● Read the installation guide thoroughly before you set up the access point.● The access point is a complicated electronic unit that may be repaired only be authorized and qualified personnel. Do not try to open or repair the device yourself.● Keep the package out of reach of children.● When you want to dispose of the access point, please follow local regulations on conservation of the environment.
Warranty	We warrant to the original end user (purchaser) that the device will be free from any defects in workmanship or materials for a period of two (2) years from the date of purchase from the dealer. Please keep your purchase receipt in a safe place as it serves as proof of date of purchase. During the warranty period, and upon proof of purchase, should the product have indications of failure due to faulty workmanship and/or materials, we will, at our discretion, repair or replace the defective products or components, without charge for either parts or labor, to whatever extent we deem necessary to restore the product to proper operating condition. Any replacement will consist of a new or re-manufactured functionally equivalent product of equal value, and will be offered solely at our discretion. This warranty will not apply if the product is modified, misused, tampered with, damaged by an act of God, or subjected to abnormal working conditions. The warranty does not cover the bundled or licensed software of other vendors. Defects which do not significantly affect the usability of the product will not be covered by the warranty. We reserve the right to revise the manual and online documentation and to make changes from time to time in the contents hereof without obligation to notify any person of such revision or changes.
GPL Notice	<p>This DrayTek product uses software partially or completely licensed under the terms of the GNU GENERAL PUBLIC LICENSE. The author of the software does not provide any warranty. A Limited Warranty is offered on DrayTek products. This Limited Warranty does not cover any software applications or programs.</p> <p>To download source codes please visit: http://gplsource.draytek.com GNU GENERAL PUBLIC LICENSE: https://gnu.org/licenses/gpl-2.0 Version 2, June 1991</p> <p>For any question, please feel free to contact DrayTek technical support at support@draytek.com for further information.</p>

Declaration of Conformity

Hereby, DrayTek Corporation declares that the radio equipment type VigorAP 1000C is in compliance with Directive 2014/53/EU.

The full text of the EU Declaration of Conformity is available at the following internet address:


[https://www.draytek.com.tw/ftp/VigorAP 1000C/Document/CE/](https://www.draytek.com.tw/ftp/VigorAP%201000C/Document/CE/)

Manufacturer: DrayTek Corp.

Address: No. 26, Fu Shing Road, HuKou Township, HsinChu Industrial Park, Hsin-Chu County, Taiwan 303

Product: VigorAP 1000C

Frequency Information for Europe area:

2.4G WLAN	2412MHz - 2472 MHz, max. TX power: 19.5dBm
5G WLAN	5170MHz - 5330 MHz, max. TX power: 22dBm 5480MHz - 5720 MHz, max. TX power: 27dBm
	Requirements in AT/BE/BG/CZ/DZ/DK/EE/FR/DE/IS/IE/IT/EL/ES/ CY/LV/LI/LT/ LU/HU/MT/ NL/NO/PL/PT/RO/SI/SK/TR/FI/SE/CH/ UK/HR. 5150MHz~5350MHz is for indoor use only.

This product is designed for 2.4GHz/5GHz WLAN network throughout the EC region.

Regulatory Information

Federal Communication Commission Interference Statement

This equipment has been tested and found to comply with the limits for a Class B digital device, pursuant to Part 15 of the FCC Rules. These limits are designed to provide reasonable protection against harmful interference in a residential installation. This equipment generates, uses and can radiate radio frequency energy and, if not installed and used in accordance with the instructions, may cause harmful interference to radio communications. However, there is no guarantee that interference will not occur in a particular installation. If this equipment does cause harmful interference to radio or television reception, which can be determined by turning the equipment off and on, the user is encouraged to try to correct the interference by one of the following measures:

- Reorient or relocate the receiving antenna.
- Increase the separation between the equipment and receiver.
- Connect the equipment into an outlet on a circuit different from that to which the receiver is connected.
- Consult the dealer or an experienced radio/TV technician for help.

This device complies with Part 15 of the FCC Rules. Operation is subject to the following two conditions:

- (1) This device may not cause harmful interference, and
- (2) This device may accept any interference received, including interference that may cause undesired operation.

The antenna/transmitter should be kept at least 20 cm away from human body.

More update, please visit www.draytek.com.

USA Local Representative	Company name	ABP International Inc.			
	Address	13988 Diplomat Drive Suite 180 Dallas TX 75234			
	ZIP Code	75234	E-mail	rmesser@abptech.com	
	Contact Person	Mr. Robert Messer	Tel.	19728311600	

*The external power supply used for each product will be model dependent.

	1	2	3	4	5	6	7	8	9
A Manufacturer	CWT	CWT	CWT	CWT	CWT	APD	APD	APD	APD
B Address	No. 222, Sec. 2, Nankan Rd., Lujhu Township, Taoyuan County 338, Taiwan	No. 222, Sec. 2, Nankan Rd., Lujhu Township, Taoyuan County 338, Taiwan	No. 222, Sec. 2, Nankan Rd., Lujhu Township, Taoyuan County 338, Taiwan	No. 222, Sec. 2, Nankan Rd., Lujhu Township, Taoyuan County 338, Taiwan	No. 222, Sec. 2, Nankan Rd., Lujhu Township, Taoyuan County 338, Taiwan	No.5, Lane 83, Lung-Sou St., Taoyuan City 330, Taiwan	No.5, Lane 83, Lung-Sou St., Taoyuan City 330, Taiwan	No.5, Lane 83, Lung-Sou St., Taoyuan City 330, Taiwan	No.5, Lane 83, Lung-Sou St., Taoyuan City 330, Taiwan
C Model identifier	2ABBO12F UK 2ABBO12F EU	2ABBO18F UK 2ABBO18F EU	2ABLO24F UK 2ABLO24F EU	2ABLO30F UK 2ABLO30F EU	2ABNO36F UK 2ABNO36F EU	WA-12M12FG WA-12M12FK	WB-18D12FG WB-18D12FK	WA-24Q12FG WA-24Q12FK	WA-36A12FG WA-36A12FK
D Input voltage	100-240V	100-240V	100-240V	100-240V	100-240V	100-240V	100-240V	100-240V	100-240V
E Input AC frequency	50/60Hz	50/60Hz	50/60Hz	50/60Hz	50/60Hz	50/60Hz	50/60Hz	50/60Hz	50/60Hz
Output voltage DC	12.0V	12.0V	12.0V	12.0V	12.0V	12.0V	12.0V	12.0V	12.0V
F Output current	1.0A	1.5A	2.0A	2.5A	3.0A	1.0A	1.5A	2.0A	3.0A
G Output power	12.0W	18.0W	24.0W	30.0W	36.0W	12.0W	18.0W	24.0W	36.0W
H Average active efficiency	84.9%	86.2%	87.6%	87.8%	89.8%	83.7%	85.4%	88.6%	88.2%
I Efficiency at low load 10%	73.6%	78.0%	81.3%	83.3%	83.7%	74.5%	80.5%	86.4%	85.4%
J No-load power consumption	0.07W	0.07W	0.07W	0.07W	0.07W	0.07W	0.10W	0.07W	0.10W

External power supply (Power Adapter) information. For more update, please visit www.draytek.com.



Table of Contents

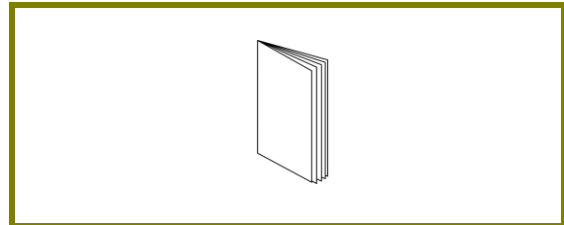
1. Package Content	1
2. Panel Explanation.....	2
3. Mounting the Access Point.....	4
4. Software Configuration	8
5. Customer Service	12

1. Package Content

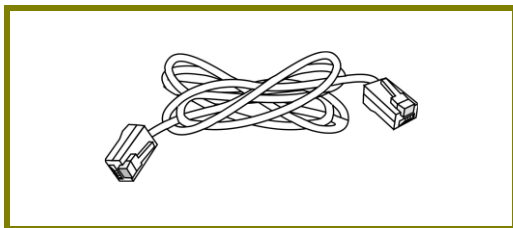
Please inspect the package contents. If anything is missing or damaged, please contact DrayTek or your dealer immediately.



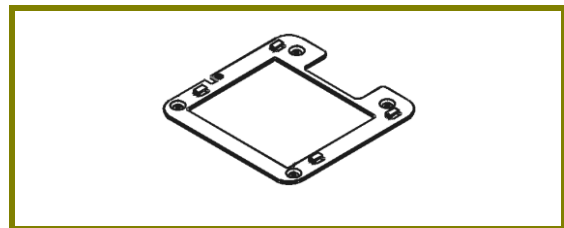
Vigor Device



Quick Start Guide

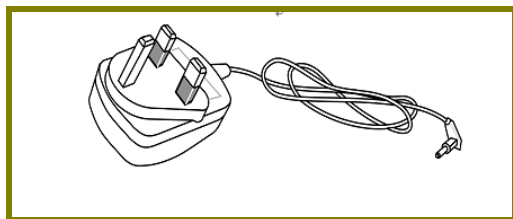


Ethernet Cable

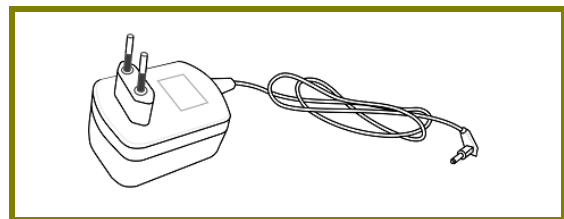


Mounting Bracket

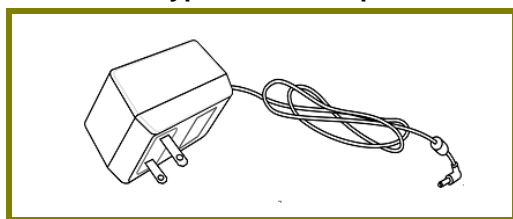
The type of the power adapter depends on the country that the device will be installed. * The maximum power consumption is **20 Watt**.



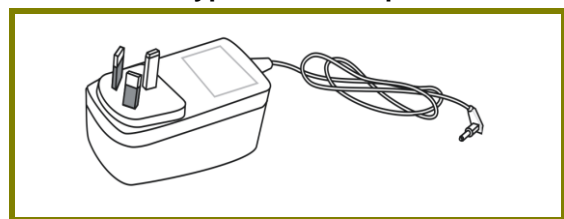
UK-type Power Adapter



EU-type Power Adapter



USA/Taiwan-type Power Adapter



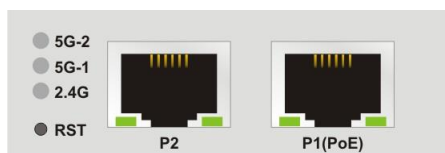
AU/NZ-type Power Adapter



Note

Remove the protective film from the router before use to ensure ventilation.

2. Panel Explanation

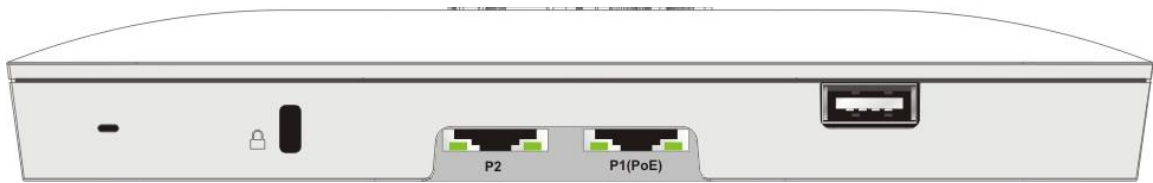



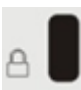
LED	Status	Explanation
5G-2	On	Wireless function is ready.
5G-1	Off	Wireless function is not ready.
2.4G	Blinking	Data is being transmitted (sending/receiving).
P2 / P1(PoE) (Left LED)	On	The LAN port is connected.
	Blinking	The data is transmitting.
	Off	The LAN port is disconnected.
P2 / P1(PoE) (Right LED)	On	The LAN port is connected with a transmission rate of 1000Mbps.
	Off	The LAN port is connected with a transmission rate of 10/100Mbps if left LED is on.

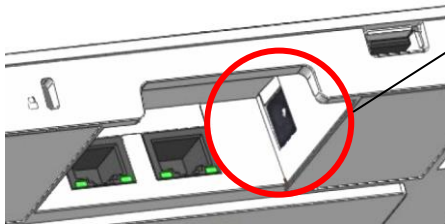


Note

Connector P1(PoE) is used for PoE connection (for indoor use only).



Interface	Description
RST	Restore the default settings. Usage: Switch on the access point. Press and hold reset button for at least 5 seconds. VigorAP will restart with the factory default configuration.
P2/P1(PoE)	Connectors for local networked devices.
 USB	A connector for a USB device.
	A security hole for installing the anti-theft lock.



The PWR connector (next to connector P1(PoE)) for a power adapter.

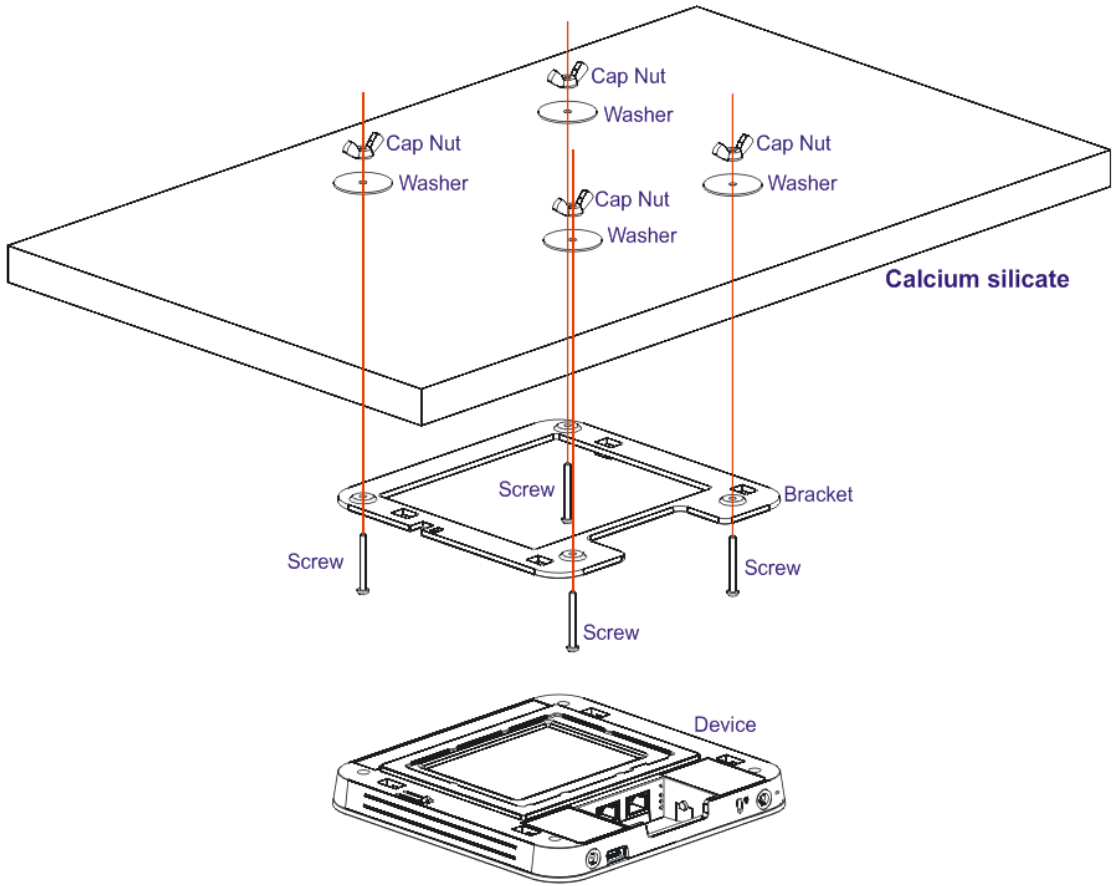
3. Mounting the Access Point

This section will guide you through installing the VigorAP.



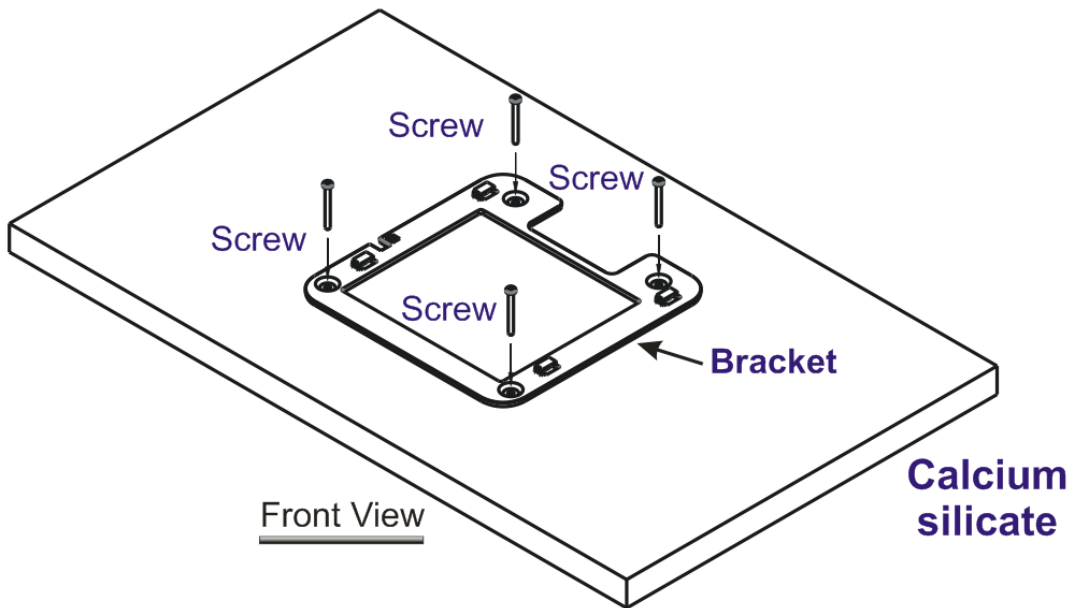
Note For the sake of personal safety, only trained and qualified personnel should install this access point.

VigorAP can be mounted on the board of calcium silicate. Below shows an exploded view of VigorAP installation.

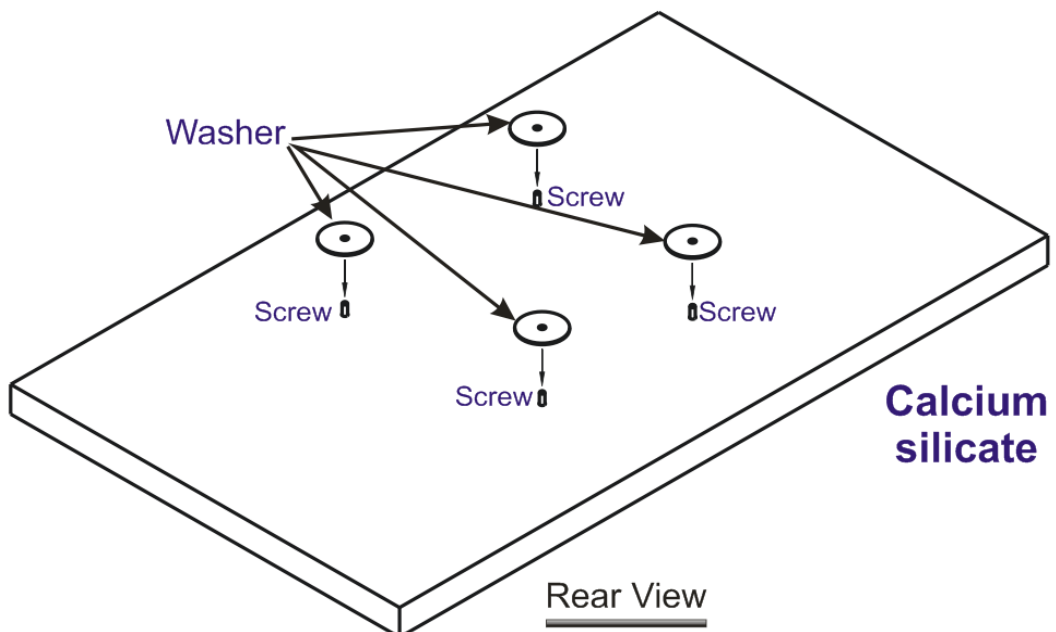


Follow the steps listed below to mount the access point.

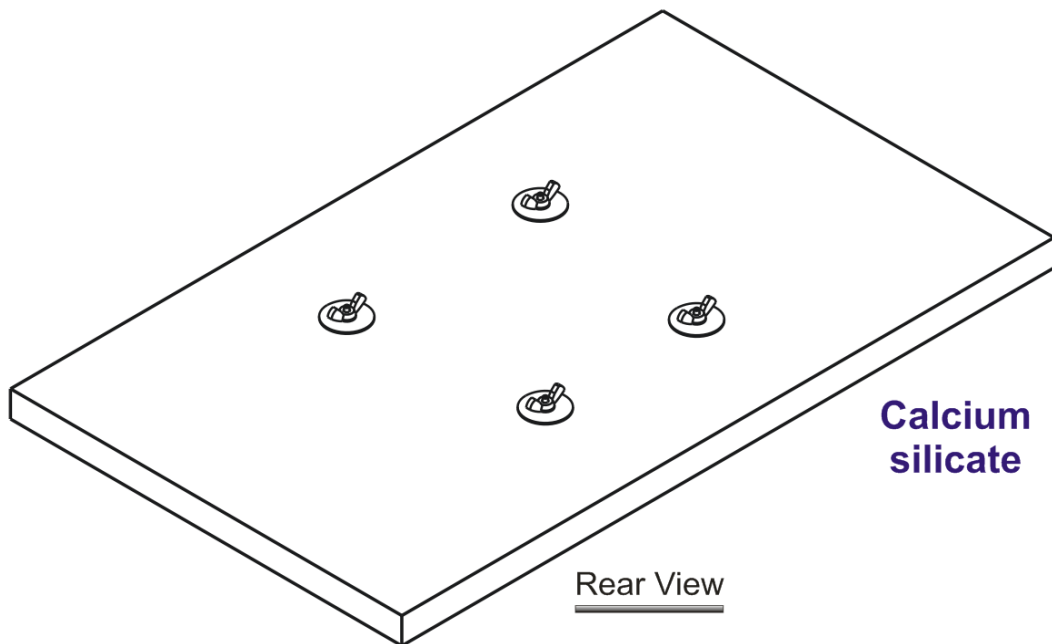
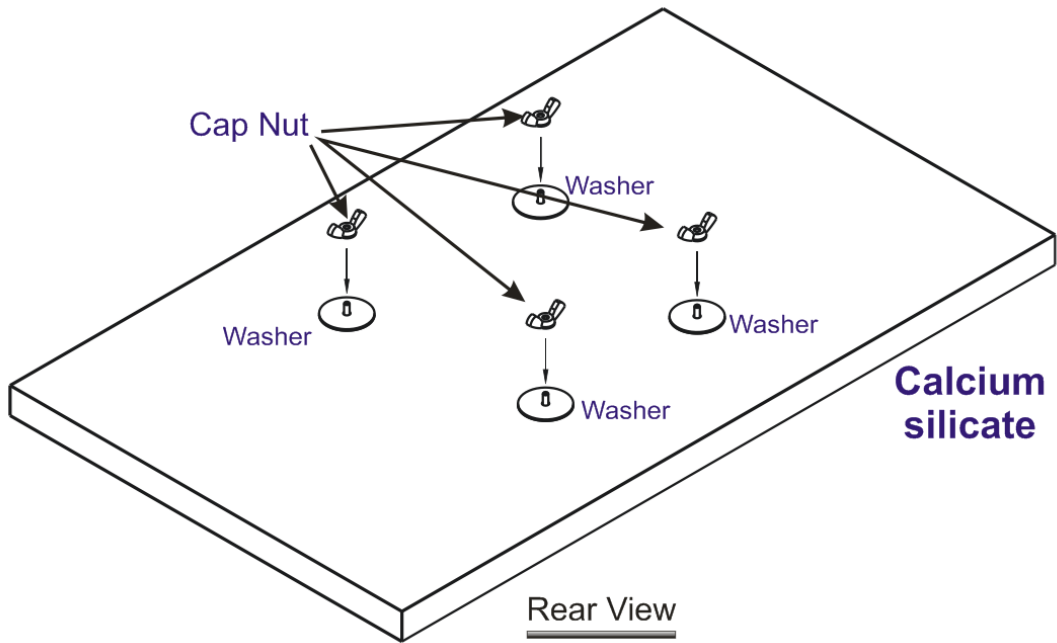
1. Place the bracket on the front side of the calcium silicate board and fasten it with four screws.



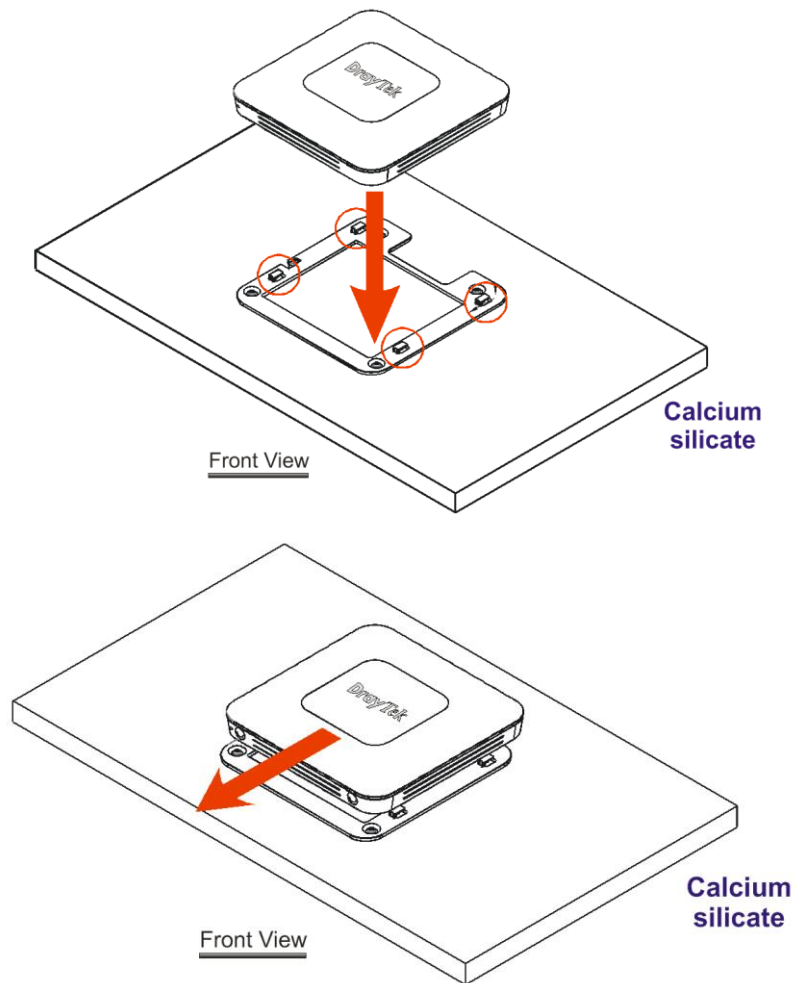
2. When the bracket is in place, reverse the board. Put the washer on the screw.



3. Insert the cap nut to the screw on the washer. Rotate the cap nut until it locks firmly on the washer.



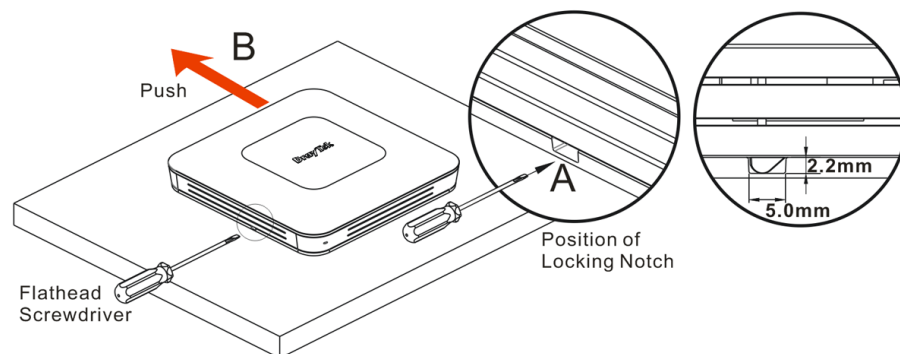
4. There are four latches on the bracket. Put the device (VigorAP) on the bracket with the direction shown below.



Note

To remove the AP, please

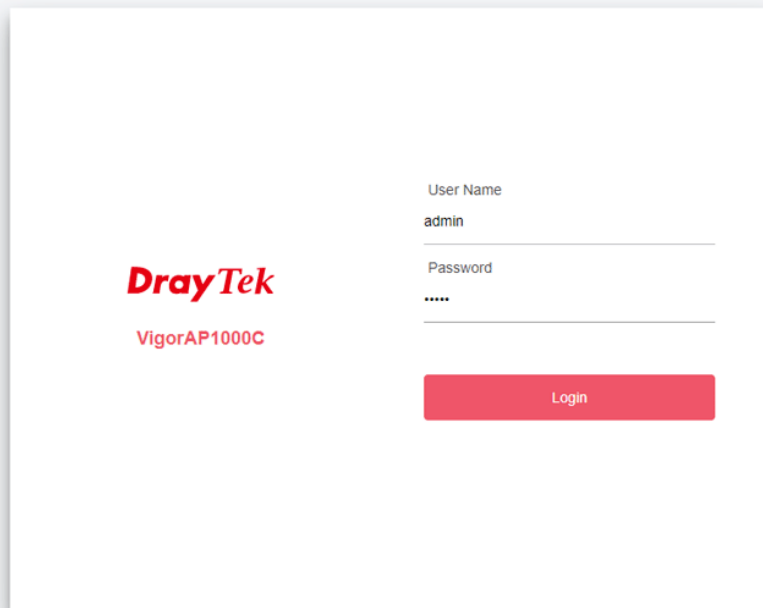
- A. Insert a small-sized flathead screwdriver to the locking notch.
- B. Push to separate the device from the four latches.



4. Software Configuration

This section will guide you through the configuration of the settings using a web browser. Here we take VigorAP 1000C as an example.

1. Make sure your PC is connected to access point correctly.
2. Open a web browser on your PC and type **http://192.168.1.2**. A pop-up window will open asking you for a username and password. Please type “admin/admin” for Username/Password and click **Login**.



Note

You may either set up your computer to receive an IP address dynamically from the access point or manually enter an IP address that is within the same subnet as **the IP address of VigorAP**.

- If there is no DHCP server on the network, the VigorAP will have an IP address of 192.168.1.2.
 - If there is DHCP available on the network, the VigorAP will receive its IP address via the DHCP server.
-

Connected As a Mesh Node (in Mesh Network)

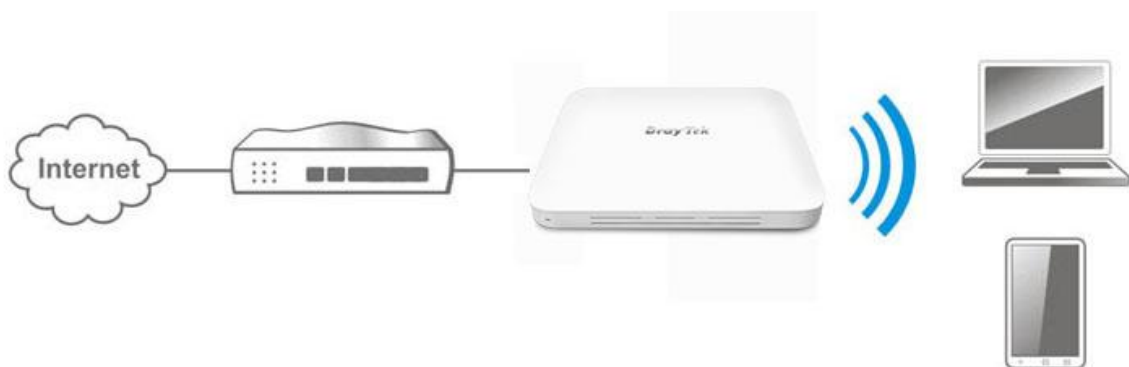


- 1 Install VigorAP on the place you want.
- 2 As a mesh node, settings related to this VigorAP must be configured by a remote Mesh Root within the mesh network. The user must detect this VigorAP via a Mesh Root to add it as a mesh node.

Connected As an Access Point

As an access point, VigorAP must be connected to a router and configured in AP (Access Point) / Range Extender mode.

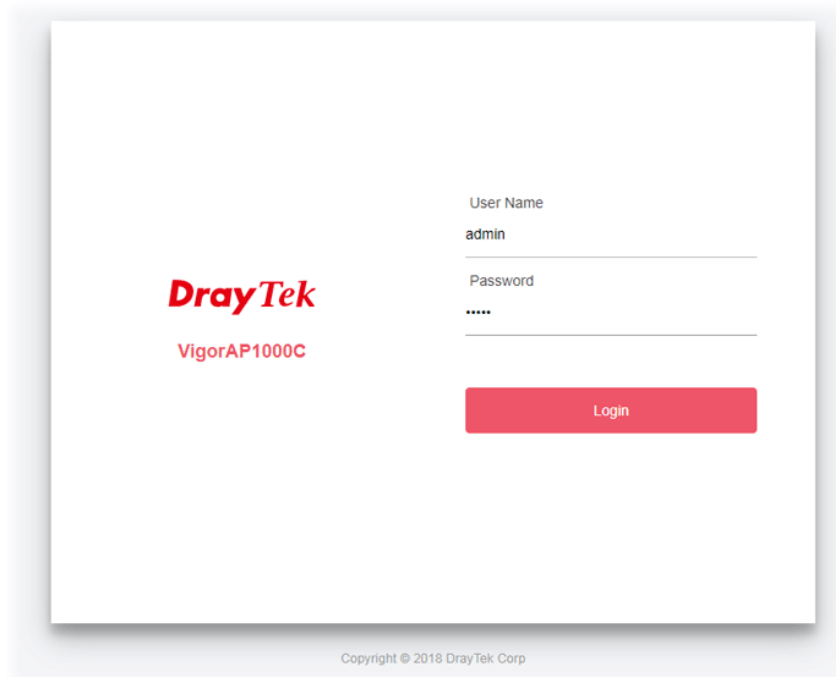
- 1 Connect VigorAP to a Vigor router.
- 2 Use a twisted-pair cable with RJ-45 plugs at both ends, and plug into Ethernet device (e.g., Vigor router) and Ethernet port of VigorAP.



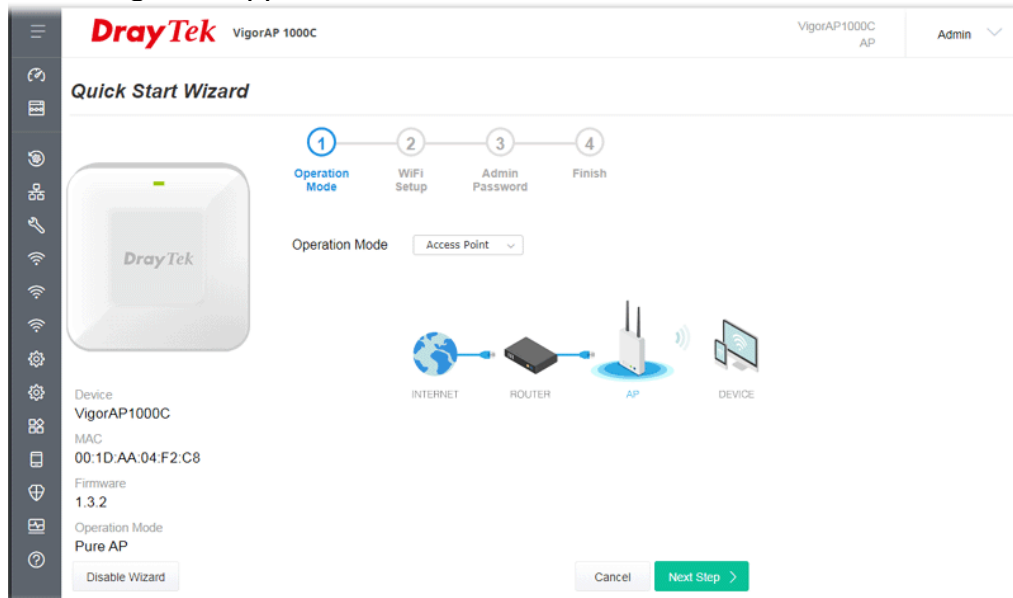
3 There are **two methods** to configure VigorAP.

Method 1:

(a) First, open a web browser on your PC and type **https://192.168.1.2**. A pop-up window will open to ask for username and password.



(b) After clicking **Login**, **Quick Start Wizard** for configuring wireless settings will appear as follows.



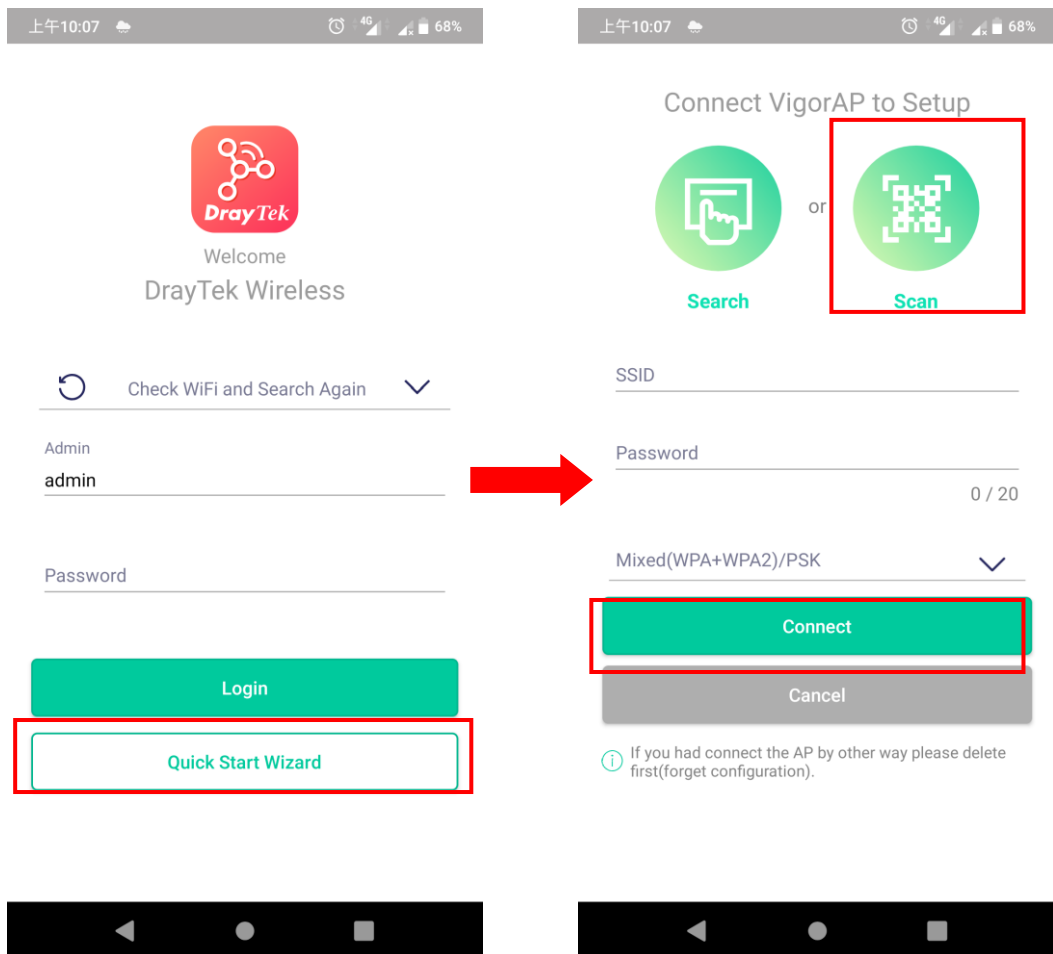
(c) Follow the on-screen steps to finish the network connection.

Method 2:

- (a) Use a mobile phone to scan the QR code named with **DrayTek Wireless App** to download DrayTek Wireless APP.



- (b) After downloading, run the APP.
- (c) Click Quick Start Wizard. Next, scan the QR code named with **Connect SSID**. Later, click **Connect** to access into the APP user interface of VigorAP 903 to set the device in **AP** or **Range Extender** mode.



5. Customer Service

If the access point still cannot work correctly after trying many efforts, please contact your dealer for further help right away. For any questions, please feel free to send e-mail to support@draytek.com.

Be a Registered Owner

Web registration is preferred. You can register your Vigor device via <http://www.draytek.com>.

Firmware & Tools Updates

Due to the continuous evolution of DrayTek technology, all devices will be regularly upgraded. Please consult the DrayTek web site for more information on newest firmware, tools and documents. <http://www.draytek.com>