

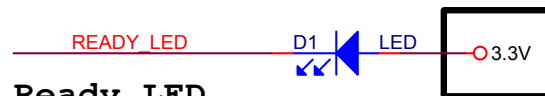
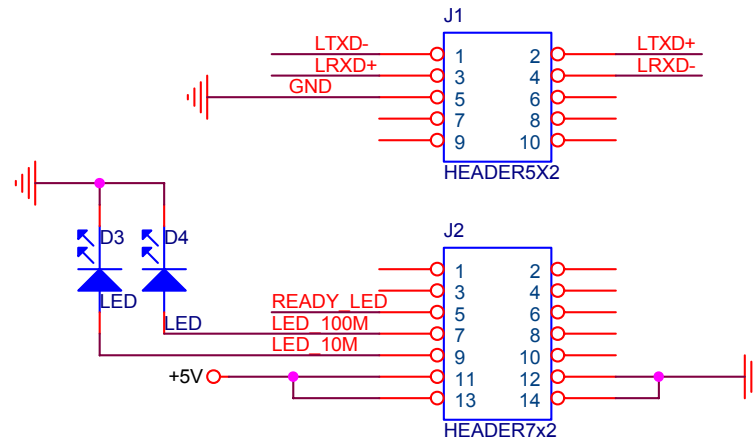
| Absolute Max. Ratings |                     | Min. | Max. | Unit |
|-----------------------|---------------------|------|------|------|
| Vil                   | Input Low Voltage   |      | 1.08 | V    |
| Vih                   | Input High Voltage  | 2.1  |      | V    |
| Vol                   | Output Low Voltage  |      | 0.4  | V    |
| Voh                   | Output High Voltage | 2.4  |      | V    |

**MOXA HWDC**

Title  
**For NE-4120A**

|           |                               |            |
|-----------|-------------------------------|------------|
| Size<br>A | Document Number<br><b>DIO</b> | Rev<br>1.0 |
|-----------|-------------------------------|------------|

Date: 星期四, 五月 20, 2004      Sheet 2 of 3



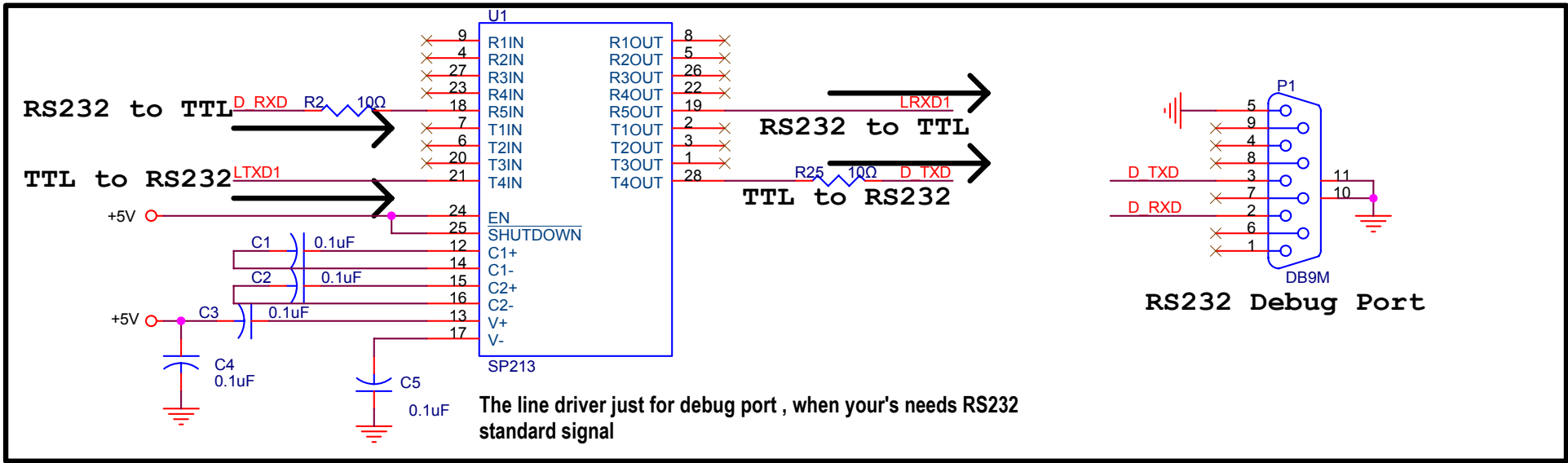
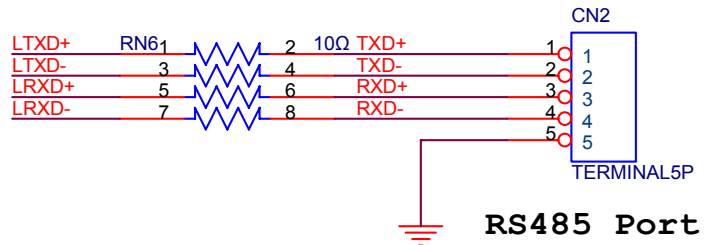
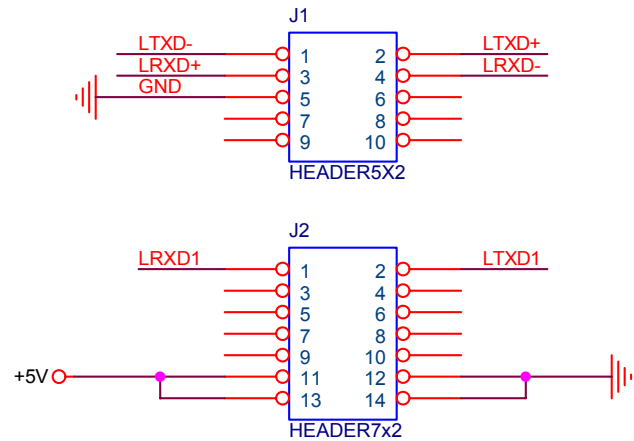
**Ready LED**

Note!! If the power is connected to 5V for Ready LED. The light-emitting diode will be a little luminous while it is turn off. We recommend connecting power to 3.3V to avoid this condition.



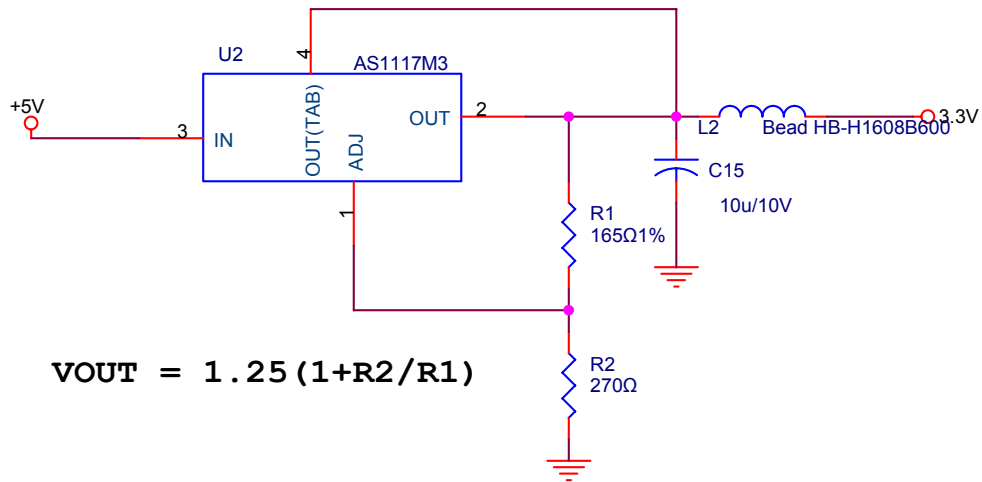
**Power LED**

|                              |                                       |              |
|------------------------------|---------------------------------------|--------------|
| <b>MOXA HWDC</b>             |                                       |              |
| Title<br><b>For NE-4120A</b> |                                       |              |
| Size<br>A                    | Document Number<br><b>LED Display</b> | Rev<br>1.0   |
| Date:<br>星期四, 五月 20, 2004    | 2                                     | Sheet 2 of 3 |



|                     |                                    |              |
|---------------------|------------------------------------|--------------|
| <b>MOXA HWDC</b>    |                                    |              |
| Title               |                                    |              |
| <b>For NE-4120A</b> |                                    |              |
| Size                | Document Number                    | Rev          |
| A                   | <b>Line Driver &amp; Connector</b> | 1.0          |
| Date:               | 星期四, 五月 20, 2004                   | Sheet 2 of 3 |

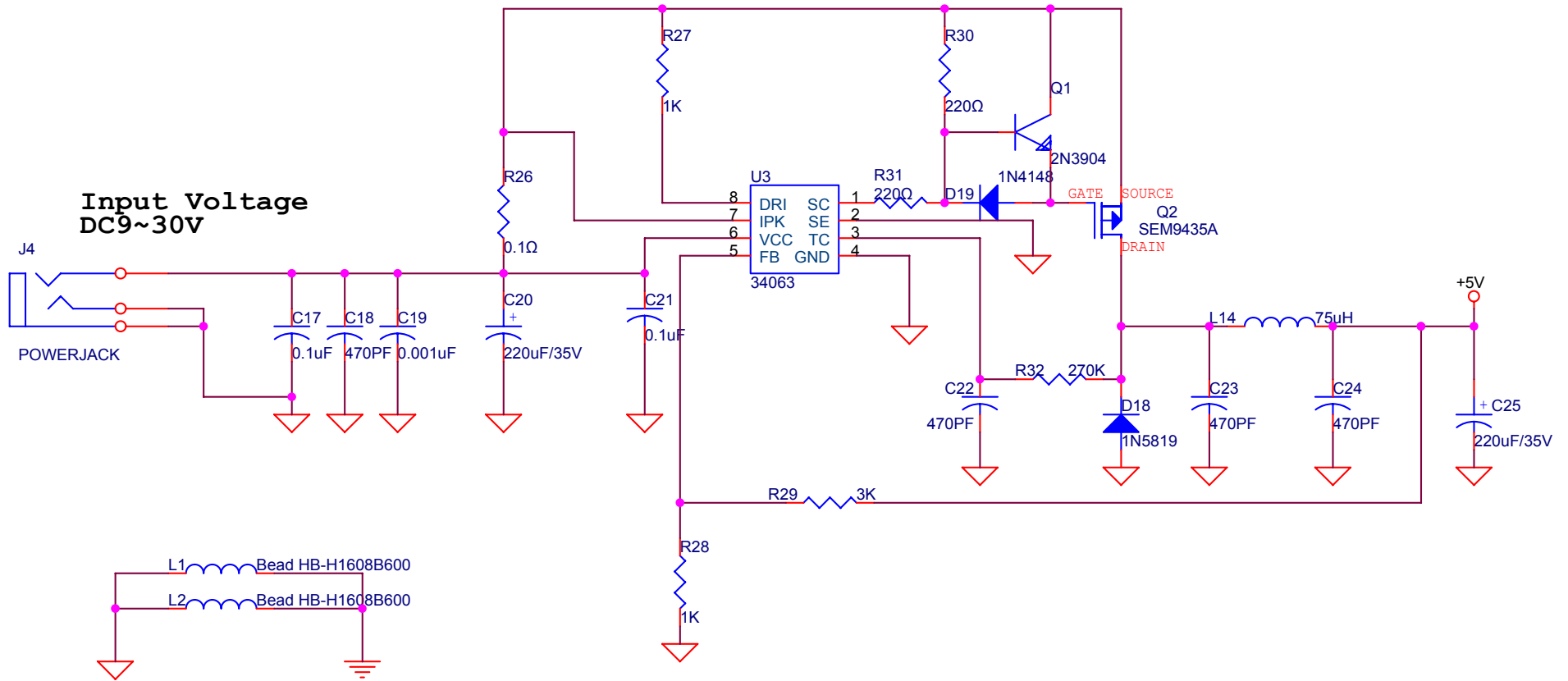
This linear regulator is only for Ready LED to avoid radiating little light while it should be turn off.



$$V_{OUT} = 1.25 (1 + R2/R1)$$

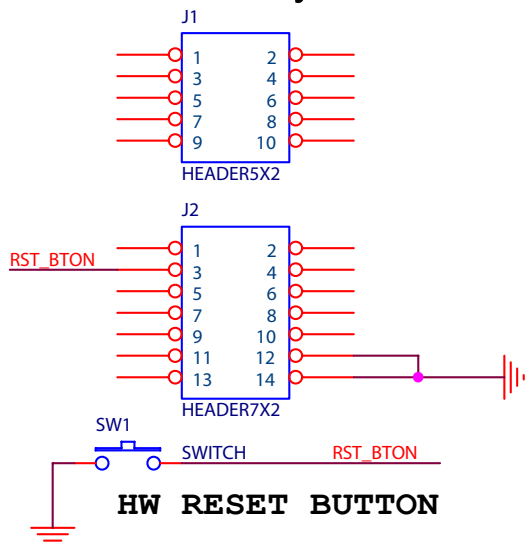
|                           |  |              |
|---------------------------|--|--------------|
| <b>MOXA HWDC</b>          |  |              |
| Title                     |  |              |
| <b>For NE-4120A</b>       |  |              |
| Size<br>A                 | Document Number<br><b>Linear Regulator</b> | Rev<br>1.0   |
| Date:<br>星期四, 五月 20, 2004 | 2  | Sheet 2 of 3 |

# The switching regulator is for NE-4110A/S system power



|                     |                            |              |
|---------------------|----------------------------|--------------|
| <b>MOXA HWDC</b>    |                            |              |
| Title               |                            |              |
| <b>For NE-4120A</b> |                            |              |
| Size                | Document Number            | Rev          |
| A                   | <b>Switching Regulator</b> | 1.0          |
| Date:               | 星期四, 五月 20, 2004           | Sheet 2 of 3 |

While push this button, the NE-4120A/S terminates all operations immediately and restarts the system.



## MOXA HWDC

Title

For NE-4120A

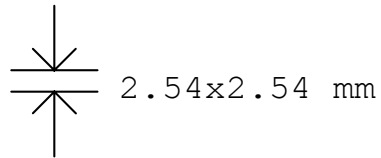
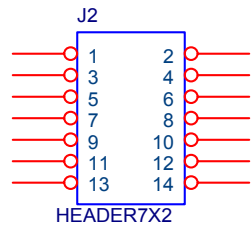
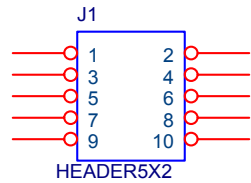
Size  
A

Document Number  
Reset System

Rev  
1.0

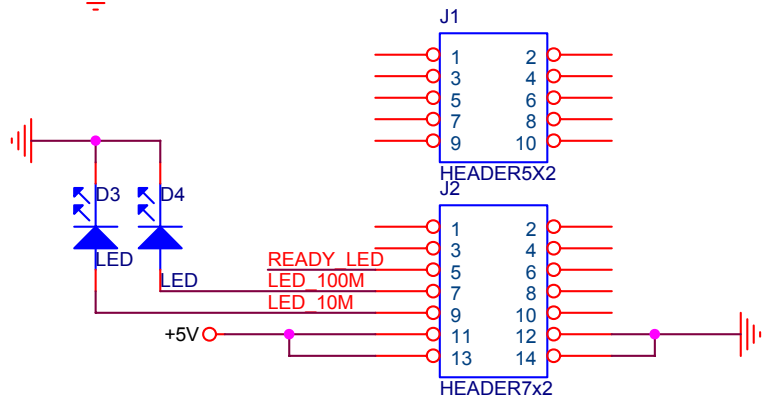
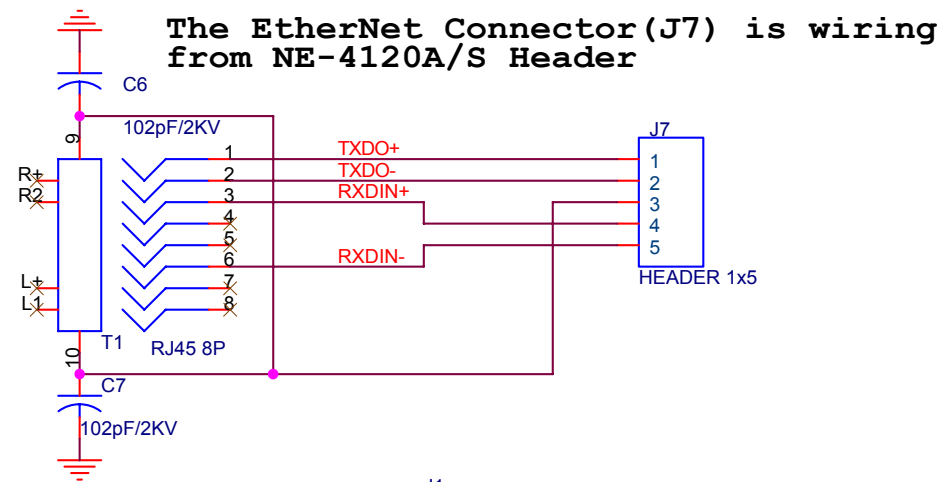
Date: 星期四, 五月 20, 2004

Sheet 2 of 3



# MOXA HWDC

|                        |   |              |
|------------------------|---|--------------|
| Title                  |   |              |
| <b>For NE-4120A</b>    |   |              |
| Size<br>A              | Document Number<br><b>Pitch of Header</b> | Rev<br>1.0   |
| Date: 星期四, 五月 20, 2004 | 2   | Sheet 2 of 3 |



# MOXA HWDC

Title

**For NE-4120A**

Size  
A

Document Number  
**EtherNet**

Rev  
1.0

Date: 星期四, 五月 20, 2004

Sheet 2 of 3